



# MAGELLAN

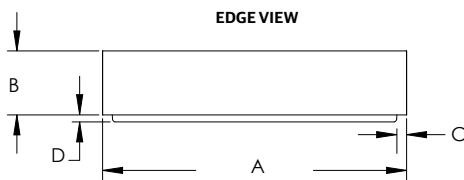
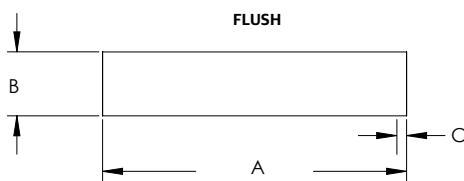
PENDANT

## HIGHLIGHTS

- 1500 to 20,000 nominal lumens direct
- 800 to 10,500 nominal lumens indirect
- Up to 142 Lumens per Watt
- Three opal acrylic lens shapes with two profile options
- Three standard (Slate, Pewter, Smoke) and sixteen premium acoustic panel colors
- Three stem configurations
- Integrated control with optional nLight® or nLight Air for system networking
- Driver options for Dim to Dark, 1% or 10% minimum dimming
- White, antimicrobial white, black, and silver paint with satin finish
- UGR data available on page 4

## DIMENSIONS

See page 5 for additional details.



	A	B	C	D
<b>Size</b>	<b>Overall Diameter</b>	<b>Housing Height</b>	<b>Flange Width</b>	<b>Edge View</b>
18IN	17-3/4"	5"	3/4"	1/2"
24IN	23-3/4"	5"	3/4"	1/2"
36IN	36"	6"	3/4"	1/2"
48IN	48-1/8"	6"	3/4"	1/2"



## FIXTURE PERFORMANCE

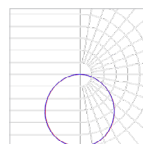
	Direct							
	18IN		24IN		36IN		48IN	
Nominal Lumens	1500LM	2500LM	1500LM	5000LM	3000LM	12000LM	5500LM	20000LM
Delivered Lumens	1515	2539	1509	5021	3072	12007	5516	20040
Input Watts	18	33	15	49	24	133	61	220
Lumens/Watt	83	78	103	103	128	90	90	91

Based upon Edge View Profile (EGLD) / Concave Lens (CCV) / 35K / 80CRI fixture  
Minimum and Maximum Output shown. Reference Ordering and Photometric sections for all additional lumen outputs.

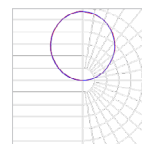
	Direct & Indirect							
	18IN		24IN		36IN		48IN	
Nominal Lumens Direct	1500LM	2500LM	1500LM	5000LM	3000LM	12000LM	5500LM	20000LM
Nominal Lumens Indirect	1800LM	13000LM	12000LM	13500LM	13500LM	16500LM	17000LM	110500LM
Delivered Lumens	2273	5376	3528	8449	6395	18089	12373	30063
Input Watts	28	59	29	75	49	179	111	299
Lumens/Watt	81	92	122	112	131	101	111	101

Based upon Edge View Profile (EGLD) / Concave Lens (CCV) / 35K / 80CRI / 135K / 180CRI fixture  
Minimum and Maximum Output shown. Reference Ordering and Photometric sections for all additional lumen outputs.

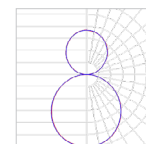
## DISTRIBUTION



Direct Lambertian



Indirect Lambertian



Indirect & Direct Lambertian

## STEM CONFIGURATION



Rigid Stem (F3)



Cable to Canopy (F4)



Cable to Center Stem (F6)

## PROFILE/SHAPE



Flush Acoustic (FLL ACOU)



Flush Convex (FLL CVX)



Flush Flat (FLL FLT)



Edge View Convex (EGLD CVX)



Edge View Concave (EGLD CCV)



Edge View Flat (EGLD FLT)

## ORDERING

Example: MGLP 48IN 80CRI 35K 2000LM 180CRI 135K 110500LM DCT MINI EGLD MVOLT FLT SLVT RE10WLCP ZT F6/108F WHTCY WHTTST

Series	Size	Direct Color Rendering	Direct LED Color Temperature	Direct Light Output
<b>MGLP</b> Magellan Pendant	<b>18IN</b> 18" Diameter <b>24IN</b> 24" Diameter <b>36IN</b> 36" Diameter <b>48IN</b> 48" Diameter	<b>(blank)</b> Use with ACOU Option <b>80CRI</b> 80 CRI <b>90CRI</b> 90 CRI	<b>(blank)</b> Use with ACOU Option <b>27K</b> 2700K <b>30K</b> 3000K <b>35K</b> 3500K <b>40K</b> 4000K <b>50K</b> 5000K	<b>(blank)</b> Use with ACOU Option For 18IN use: <b>1500LM</b> 1500 Lumens <b>2000LM</b> 2000 Lumens <b>2500LM</b> 2500 Lumens For 24IN use: <b>1500LM</b> 1500 Lumens <b>2500LM</b> 2500 Lumens <b>4000LM</b> 4000 Lumens <b>5000LM</b> 5000 Lumens For 36IN use: <b>3000LM</b> 3000 Lumens <b>6000LM</b> 6000 Lumens <b>9000LM</b> 9000 Lumens <b>12000LM</b> 12000 Lumens For 48IN use: <b>5500LM</b> 5500 Lumens <b>10500LM</b> 10500 Lumens <b>16000LM</b> 16000 Lumens <b>20000LM</b> 20000 Lumens

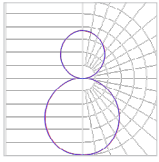
Indirect Color Rendering	Indirect Color Temperature	Indirect Light Output	Switching	Minimum Dimming Level
<b>(blank)</b> Use when No Indirect Lighting Required <b>180CRI</b> 80CRI <b>190CRI</b> 90CRI	<b>(blank)</b> Use when No Indirect Lighting Required <b>127K</b> 2700K <b>130K</b> 3000K <b>135K</b> 3500K <b>140K</b> 4000K <b>150K</b> 5000K	<b>(blank)</b> Use when No Indirect Lighting Required For 18IN use: <b>1800LM</b> 800 Lumens <b>11000LM</b> 1000 Lumens <b>13000LM</b> 3000 Lumens For 24IN use: <b>12000LM</b> 2000 Lumens <b>12500LM</b> 2500 Lumens <b>13000LM</b> 3000 Lumens <b>13500LM</b> 3500 Lumens	<b>(blank)</b> Use when No Indirect and No Direct Lighting Required <b>SCT</b> Single Circuit <b>DCT<sup>1,2</sup></b> Dual Circuit 1. Not available with NLTAIR2 2. Requires both Indirect and Direct Lumen Output	<b>(blank)</b> Use when No Indirect and No Direct Lighting Required <b>NODIM<sup>1,2,3,4</sup></b> Non Dimming <b>MINI<sup>3</sup></b> Constant Current, Dimming to 1% <b>MINIO<sup>2,3,4</sup></b> Constant Current, Dimming to 10% <b>DARK<sup>4,5</sup></b> Constant Current, Dimming to 0.1% 1. Not available with Control Input options 2. Not available with DALI 3. Not available with DMX 4. Not available with ECOI 5. Not available with 347

Shielding Profile	Voltage	Shielding	Housing Color	Emergency Options <sup>1</sup>
<b>EGLD<sup>1</sup></b> Edge View <b>FLL<sup>2</sup></b> Flush Lens 1. Not available with ACOU 2. Not available with CCV	<b>(blank)</b> Use when No Indirect and No Direct Lighting Required <b>MVOLT</b> 120-277 Volt <b>347<sup>1,2</sup></b> 347 Volt 1. Available with Non Dimming or ZT Control Input only 2. Not available with Emergency Options	<b>FLT</b> Flat Lens <b>CCV<sup>1</sup></b> Concave Lens <b>CVX</b> Convex Lens <b>ACOU<sup>2,3,4</sup></b> Acoustical Panel 1. Requires EGLD 2. Requires FLL 3. Not available with Direct Lighting selections 4. Requires Acoustical Panel Color option	<b>WHTT</b> White (Satin) <b>BLKT</b> Black (Satin) <b>SLVT</b> Silver (Satin) <b>AMWHTT</b> Anti-Microbial White (Satin) <b>RALTB<sup>1</sup></b> RAL Paint Finish 1. RALTB <sup>1</sup> is for pricing only. Replace with applicable RAL number & finish when placing order.	<b>(blank)</b> Use when No Emergency Required <b>RE10WLCP</b> Remote 10 Watt Battery Pack, Constant Power with Self Diagnostics, T20 Compliant <b>EC</b> Emergency Circuit <b>RGTD</b> Remote Generator Transfer Device <b>RETSDR</b> Remote Emergency Control Device w Dimming Relay 1. Applies to Direct Lighting selection only

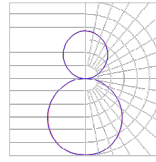
Acoustic Panel Colors <sup>1</sup>	Control Input	Mounting/Suspension Length
<b>(blank)</b> Use with FLT, CCV, or CVX Option <b>SMKE</b> SMOKE (Cool Gray Heather) <b>PWTR</b> PEWTER (Dark Gray Heather) <b>SLTE</b> SLATE (Black Heather) <b>TAR</b> TAR (Black) <b>FRST</b> FROST (White) <b>CHMB</b> CHAMBRAY (Medium Gray) <b>ECRU</b> ECRU (Medium Tan Heather) <b>IVRY</b> IVORY <b>GRGE</b> GREIGE (Warm Gray Heather)	<b>(blank)</b> Use when No Indirect and No Direct Lighting Required or if Non-Dimming <b>ZT</b> 0-10V <b>NLIGHT</b> nLight Wired <b>NLTAIR2<sup>1</sup></b> nLight Air (wireless) Enabled <b>DALI<sup>2</sup></b> DALI <b>DMX<sup>3</sup></b> DMX <b>ECOI<sup>4</sup></b> Lutron Ecosystem Interface Module 1. Not available with DCT 2. Not available with NODIM or MINIO 3. Not available with NODIM, MINI, or MINIO 4. Not available with NODIM, MINIO, or DARK For additional ordering assistance consult "Intelligent Luminaire Technology Guide".	<b>F3/12F</b> Rigid Stem 12" Fixed <b>F3/18F</b> Rigid Stem 18" Fixed <b>F3/24F</b> Rigid Stem 24" Fixed <b>F3/36F</b> Rigid Stem 36" Fixed <b>F4/24A<sup>1</sup></b> Cable to Canopy 24" Adjustable <b>F4/60A<sup>1</sup></b> Cable to Canopy 60" Adjustable <b>F4/120A<sup>1</sup></b> Cable to Canopy 120" Adjustable 1. Available for 18IN and 24IN only 2. Not available for 18IN (Measured from bottom of ceiling to bottom of fixture housing.)

Canopy Color	Cord Color <sup>1</sup>	Stem Color <sup>1</sup>	Options
<b>WHTCY</b> White Canopy <b>BLKCY</b> Black Canopy <b>SLVCY</b> Silver Canopy <b>AMWHTCY</b> Anti-Microbial White Canopy <b>RALTBDCY</b> RAL Color Canopy	<b>(blank)</b> Use with F3 or F6 Mounting <b>WCRD</b> White Cord <b>BCRD</b> Black Cord 1. Available with F4 mounting	<b>(blank)</b> Use with F4 Mounting <b>WHTTST</b> White Stem (Satin) <b>BLKTST</b> Black Stem (Satin) 1. Available with F3 or F6 mounting	<b>(blank)</b> No Options <b>CP</b> Chicago Plenum (For RE10WLCP, RGTD, or RETSDR)

## PHOTOMETRICS



Test Report: ISF 231474 - ISF 231490P2257  
IES LM79-08  
Catalog #: MGLP 36IN 80CRI 35K 12000LM  
180CRI 135K 16500LM EGLD CCV  
Lumens: 18089  
Wattage: 178.68  
Efficacy: 101.24



Test Report: ISF 231474 - ISF 231490P2259  
IES LM79-08  
Catalog #: MGLP 36IN 80CRI 35K 12000LM  
180CRI 135K 16500LM FLL FLT  
Lumens: 17211  
Wattage: 178.68  
Efficacy: 96.32

### PROJECT LED LUMEN MAINTENANCE - DIRECT

Data references the extrapolated performance projections for the platforms noted in a 25°C ambient, based on 10,000 hours of LED testing (tested per IESNA LM-80-08 and projected per IESNA TM-21-11). To calculate LLF, use the lumen maintenance factor that corresponds to the desired number of operating hours below. For other lumen maintenance values, contact factory.

Operating Hours	0	10,000	60,000	100,000
Lumen Maintenance Factor	1	0.98	0.84	0.75

### PROJECT LED LUMEN MAINTENANCE - INDIRECT

Data references the extrapolated performance projections for the platforms noted in a 25°C ambient, based on 10,000 hours of LED testing (tested per IESNA LM-80-08 and projected per IESNA TM-21-11). To calculate LLF, use the lumen maintenance factor that corresponds to the desired number of operating hours below. For other lumen maintenance values, contact factory.

Operating Hours	0	10,000	60,000	100,000
Lumen Maintenance Factor	1	0.98	0.91	0.86

## COMPLETE FIXTURE PERFORMANCE

	DIRECT														
	18IN			24IN				36IN				48IN			
Nominal Lumens	1500LM	2000LM	2500LM	1500LM	2500LM	4000LM	5000LM	3000LM	6000LM	9000LM	12000LM	5500LM	10500LM	16000LM	20000LM
Delivered Lumens	1515	2005	2539	1509	2504	4009	5021	3072	6018	9011	12007	5516	10556	16024	20040
Input Watts	18	25	33	15	24	39	49	24	64	97	133	61	118	179	220
Lumens/Watt	83	82	78	103	103	102	103	128	95	93	90	90	89	90	91

Based upon a Edge View Profile (EGLD) / Concave Lens (CCV) / 35K / 80CRI fixture

	INDIRECT														
	18IN			24IN				36IN				48IN			
Nominal Lumens	1800LM	11000LM	13000LM	12000LM	12500LM	13000LM	13500LM	13500LM	14500LM	15500LM	16500LM	17000LM	18500LM	19500LM	110500LM
Delivered Lumens	759	1019	2841	2060	2523	3021	3561	3340	4572	5550	6148	6895	8510	9537	10159
Input Watts	7	8	23	14	18	21	25	25	32	39	47	50	60	69	79
Lumens/Watt	113	129	123	143	141	141	142	136	144	143	132	138	141	139	129

Based upon a I35K / 180CRI fixture

	DIRECT & INDIRECT														
	18IN			24IN				36IN				48IN			
Nominal Lumens DIRECT	1500LM	2000LM	2500LM	1500LM	2500LM	4000LM	5000LM	3000LM	6000LM	9000LM	12000LM	5500LM	10500LM	16000LM	20000LM
Nominal Lumens INDIRECT	1800LM	11000LM	13000LM	12000LM	12500LM	13000LM	13500LM	13500LM	14500LM	15500LM	16500LM	17000LM	18500LM	19500LM	110500LM
Delivered Lumens	2273	3022	5376	3528	4960	6924	8449	6395	10558	14512	18089	12373	18994	25452	30063
Input Watts	28	37	59	29	42	62	75	49	96	137	179	111	178	247	299
Lumens/Watt	81	82	92	122	118	113	112	131	111	106	101	111	107	103	101

Based upon a Edge View Profile (EGLD) / Concave Lens (CCV) / 35K / 80CRI / I35K / 180CRI fixture

**CCT SCALING CHART**

DIRECT				INDIRECT			
CCT	CRI	MULTIPLIER		CCT	CRI	MULTIPLIER	
27K	80CRI	0.95		27K	80CRI	0.94	
30K	80CRI	0.99		30K	80CRI	0.97	
35K	80CRI	1.00		35K	80CRI	1.00	
40K	80CRI	1.02		40K	80CRI	1.02	
50K	80CRI	1.04	R9	50K	80CRI	1.04	R9
27K	90CRI	0.81	52.76	27K	90CRI	0.79	55.45
30K	90CRI	0.84	58.10	30K	90CRI	0.81	55.41
35K	90CRI	0.85	71.62	35K	90CRI	0.83	56.18
40K	90CRI	0.87	71.93	40K	90CRI	0.84	58.97
50K	90CRI	0.89	78.39	50K	90CRI	0.89	58.98

Lumen scaling charts can be used to approximate the lumen values at different Kelvin temperatures, color rendering indices, optics, or shielding.  
 Example: Calculating the lumen change from 80CRI 35K to 80CRI 40K = Lumen output for MGLP 36IN 80CRI 35K 12000LM EGLD CCV (12007) x 1.02 multiplier = 12247 lumens

**SHIELDING SCALING CHART**

SIZE	SHIELDING PROFILE	SHIELDING	MULTIPLIER
ALL	FLL	FLT	0.93
	FLL	CVX	0.98
	EGLD	FLT	0.93
	EGLD	CVX	0.99
	EGLD	CCV	1.00

Based upon a Edge View Profile (EGLD) / Concave Lens (CCV)

**UGR CHART**

UGR (70% 50% 20% reflectance using a 4H x 8H room size)											
SIZE	LUMEN PACKAGE	Crosswise					Endwise				
		FLL FLT	FLL CVX	EGLD FLT	EGLD CVX	EGLD CCV	FLL FLT	FLL CVX	EGLD FLT	EGLD CVX	EGLD CCV
18IN	1500LM	11.4	11.8	11.1	11.5	11.6	11.7	12.1	11.4	11.8	11.9
	2000LM	13.1	13.5	12.9	13.3	13.3	13.5	13.8	13.2	13.6	13.7
	2500LM	14.6	14.9	14.3	14.7	14.8	14.9	15.3	14.6	15.0	15.1
24IN	1500LM	11.5	11.8	11.2	11.6	11.7	11.4	11.8	11.1	11.5	11.6
	2500LM	14.6	15.0	14.4	14.8	14.8	14.6	14.9	14.3	14.7	14.8
	4000LM	17.5	17.8	17.2	17.6	17.6	17.4	17.7	17.1	17.5	17.6
	5000LM	18.8	19.1	18.5	18.8	18.9	18.7	19.0	18.4	18.8	18.8
36IN	3000LM	10.9	11.2	10.7	11.1	11.2	10.9	11.3	10.7	11.1	11.2
	6000LM	15.0	15.3	14.8	15.2	15.3	15.1	15.4	14.9	15.3	15.3
	9000LM	17.3	17.7	17.1	17.5	17.6	17.4	17.7	17.2	17.6	17.6
	12000LM	18.9	19.2	18.7	19.1	19.1	19.0	19.3	18.8	19.1	19.2
48IN	5500LM	12.3	12.7	12.2	12.6	12.7	11.3	11.6	11.1	11.5	11.6
	10500LM	16.3	16.6	16.2	16.5	16.6	15.2	15.6	15.1	15.5	15.6
	16000LM	18.7	19.0	18.5	18.9	19.0	17.6	18.0	17.5	17.8	17.9
	20000LM	19.9	20.2	19.8	20.1	20.2	18.9	19.2	18.7	19.1	19.1

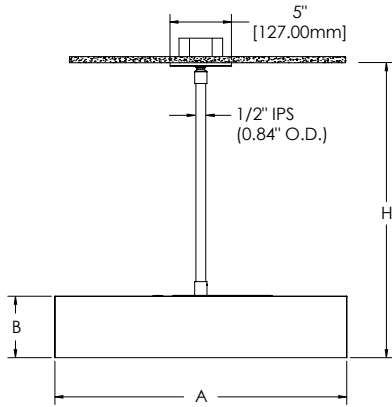
UGR Multiplier Chart		
Size	Indirect Lumens	Scale Factor
18IN	I800LM	1.23
	I1000LM	1.18
	I3000LM	1.00
24IN	I2000LM	1.09
	I2500LM	1.05
	I3000LM	1.03
	I3500LM	1.00
36IN	I3500LM	1.09
	I4500LM	1.04
	I5500LM	1.02
	I6500LM	1.00
48IN	I7000LM	1.05
	I8500LM	1.03
	I9500LM	1.01
	I10500LM	1.00

\*Calculated with highest indirect lumens, decreases in indirect lumens will increase the UGR numbers, see chart below for guidance. UGR numbers calculated this way are for reference only, refer to IES files for the exact numbers.  
 \*\*UGR varies based on luminaire options and is affected by application dependent parameters. Numbers depicted here are considered "Luminaire-UGR" and/or "Point-UGR" values. To determine a more precise maximum UGR value ("Application-UGR"), a full lighting design layout should be completed with the selected luminaire configuration for each application.  
 For more information on UGR see [UGR FAQ](#)

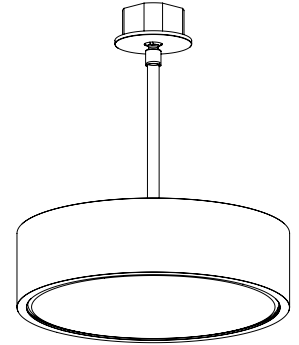
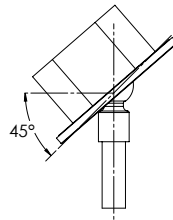
**MOUNTING**

Use only octagon junction box (by others). See installation instruction document for additional details.

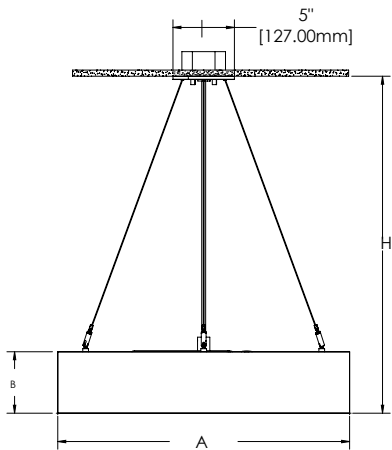
**Rigid Stem (F3)**



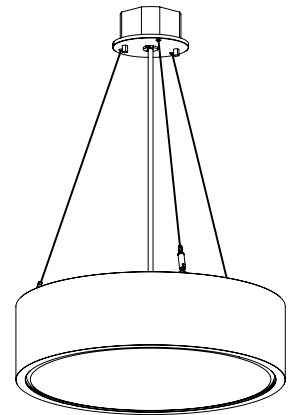
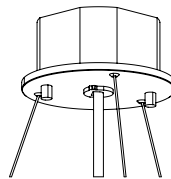
Rigid Stem (F3)			
	A	B	H
Size	Overall Diameter	Housing Height	Bottom of Ceiling to Bottom of Housing
18IN	17 1/4"	5"	F3/12F = 12"
24IN	23 3/4"	5"	F3/18F = 18"
36IN	36"	6"	F3/24F = 24"
48IN	48"	6"	F3/36F = 36"



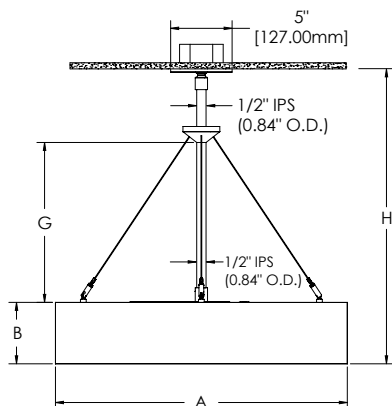
**Cable to Canopy (F4)**



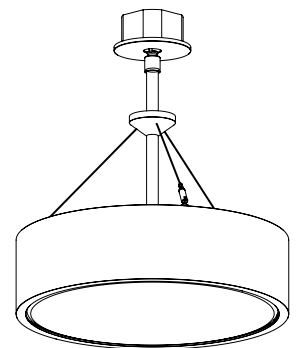
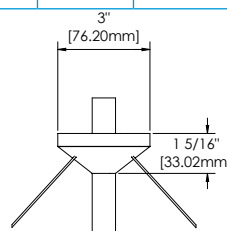
Cable to Canopy (F4)			
	A	B	H
Size	Overall Diameter	Housing Height	Bottom of Ceiling to Bottom of Housing
18IN	17 1/4"	5"	F4/24A = 24"
24IN	23 1/4"	5"	F4/60A = 60"
			F4/120A = 120"



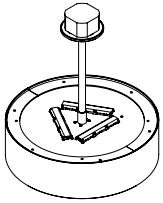
**Cable to Center Stem (F6)**



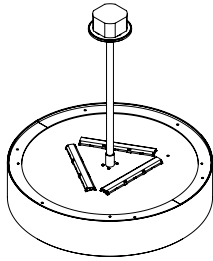
Cable to Stem (F6)				
	A	B	G	H
Size	Overall Diameter	Housing Height	Cable Height	Bottom of Ceiling to Bottom of Housing
24IN	23 1/4"	5"	13"	F6/36F = 36"
				F6/48F = 48"
				F6/60F = 60"
				F6/72F = 72"
				F6/84F = 84"
				F6/96F = 96"
				F6/108F = 108"
				F6/120F = 120"



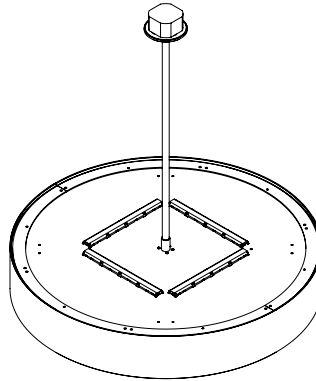
**INDIRECT LAYOUT**



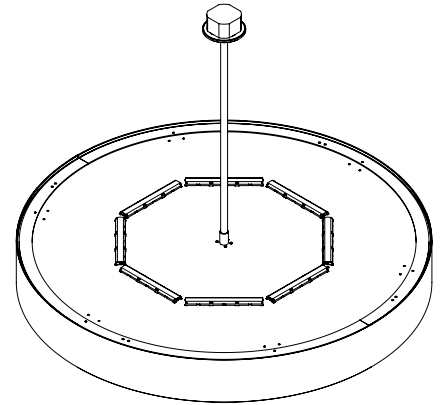
**MGLP 18IN**



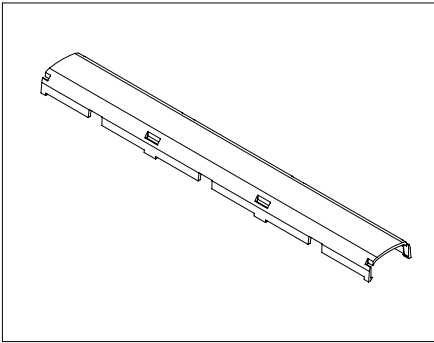
**MGLP 24IN**



**MGLP 36IN**



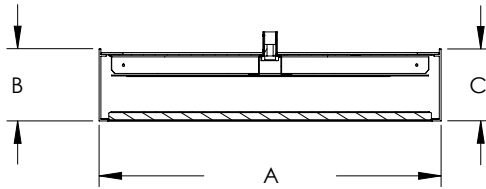
**MGLP 48IN**



**Example of lambertian LED cover  
(not shown to scale)**

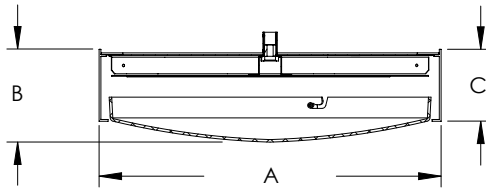
**PROFILE/SHAPE**

**Flush Acoustic (FLL ACOU)**



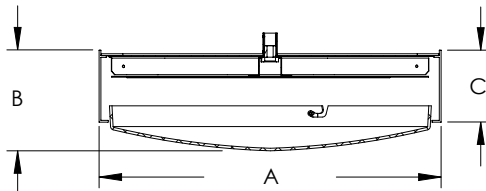
Flush Acoustic (FLL ACOU)			
	A	B	C
<b>Size</b>	<b>Overall Diameter</b>	<b>Overall Body Height</b>	<b>Housing Height</b>
18IN	17 3/4"	5"	5"
24IN	23 3/4"	5"	5"
36IN	36"	6"	6"
48IN	48"	6"	6"

**Flush Convex (FLL CVX)**



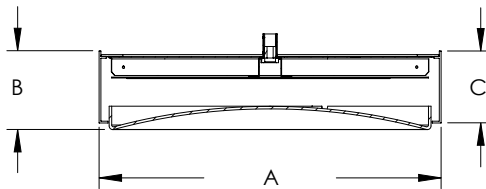
Flush Convex (FLL CVX)			
	A	B	C
<b>Size</b>	<b>Overall Diameter</b>	<b>Overall Body Height</b>	<b>Housing Height</b>
18IN	17 3/4"	6 1/2"	5"
24IN	23 3/4"	6 1/2"	5"
36IN	36"	7 1/2"	6"
48IN	48"	7 1/2"	6"

**Edge View Convex (EGLD CVX)**



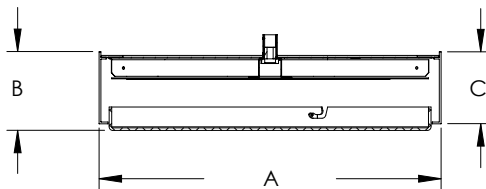
Edge View Convex (EGLD CVX)			
	A	B	C
<b>Size</b>	<b>Overall Diameter</b>	<b>Overall Body Height</b>	<b>Housing Height</b>
18IN	17 3/4"	7"	5"
24IN	23 3/4"	7"	5"
36IN	36"	8"	6"
48IN	48"	8"	6"

**Edge View Concave (EGLD CCV)**



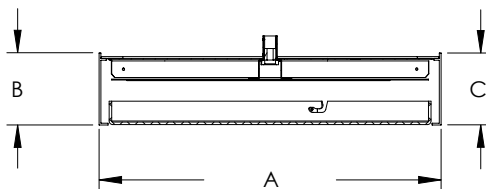
Edge View Concave (EGLD CCV)			
	A	B	C
<b>Size</b>	<b>Overall Diameter</b>	<b>Overall Body Height</b>	<b>Housing Height</b>
18IN	17 3/4"	5 1/2"	5"
24IN	23 3/4"	5 1/2"	5"
36IN	36"	6 1/2"	6"
48IN	48"	6 1/2"	6"

**Edge View Flat (EGLD FLT)**



Edge View Flat (EGLD FLT)			
	A	B	C
<b>Size</b>	<b>Overall Diameter</b>	<b>Overall Body Height</b>	<b>Housing Height</b>
18IN	17 3/4"	5 1/2"	5"
24IN	23 3/4"	5 1/2"	5"
36IN	36"	6 1/2"	6"
48IN	48"	6 1/2"	6"

**Flush Flat (FLL FLT)**



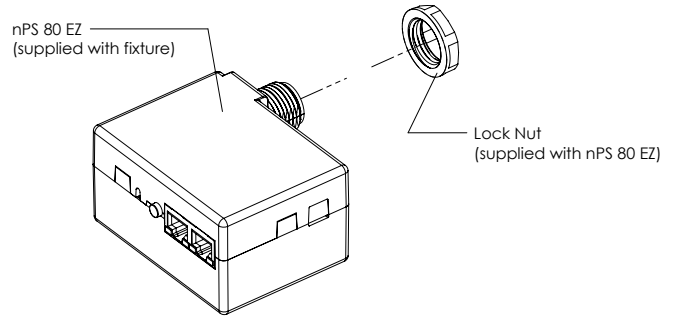
Flush Flat (FLL FLT)			
	A	B	C
<b>Size</b>	<b>Overall Diameter</b>	<b>Overall Body Height</b>	<b>Housing Height</b>
18IN	17 3/4"	5"	5"
24IN	23 3/4"	5"	5"
36IN	36"	6"	6"
48IN	48"	6"	6"

**NLIGHT**

**Integrated Controls**

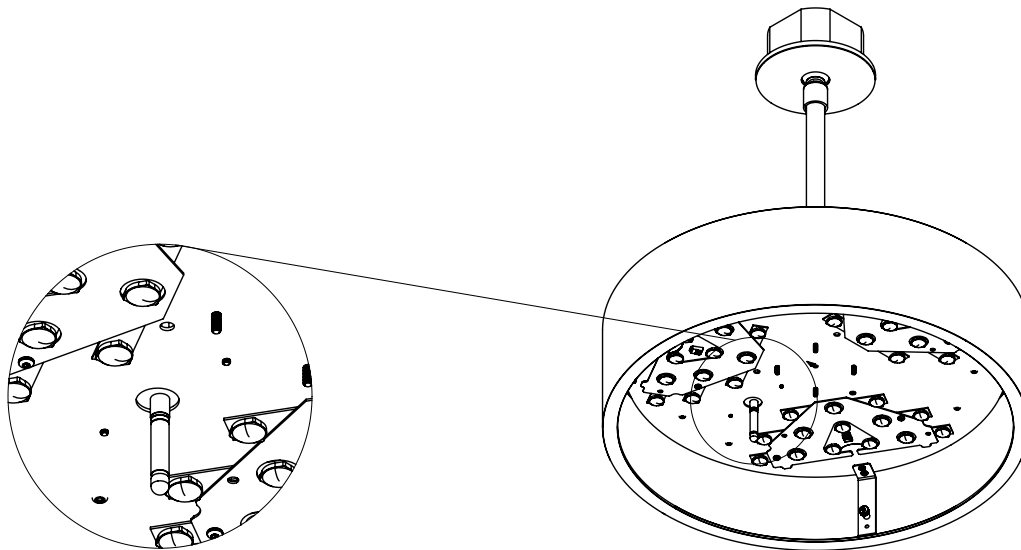
Optional nLight® integrated controls make Magellan luminaires addressable- allowing them to digitally communicate with other nLight enabled controls such as dimmers, switches, occupancy sensors and photo controls. Simply connect all the nLight enabled control devices using standard CAT5 Cabling (by others).

**Note:** nPS 80 EZ supplied with fixture and mounts to external octagon junction box (by others) through a ½” knockout. Secured with provided lock nut.



**nLight Air Wireless Antenna Location**

**Note:** Antenna will be shipped separately and will need to be attached to the coax connector in the field.



Control Input	Emergency Option	Device Used
NLIGHT	<none>	nPS 80 EZ
NLTAIR2	<none>	rIO EZDL 90D G2
NLIGHT	EC	nPS 80 EZ
NLTAIR2	EC	rIO EZDL 90D G2 EM



**INTELLIGENT LUMINAIRE TECHNOLOGY GUIDE**

Choose nomenclature from these columns

Driver Configurations (MVOLT)	Minimum Dimming Level	Control Input	Dimming Range	Notes
		NODIM	(blank)	-
	MIN1	ZT	100% to 1%	Linear Dimming, supplied with leads for 0-10V control
	MIN1	NLIGHT	100% to 1%	Linear Dimming, remote NPS 80 EZ, included with luminaire
	MIN1	NLTAIR2	100% to 1%	Linear Dimming, internal RIO EZDL 90D G2 included with luminaire
	MIN1	DALI	100% to 1%	Linear Dimming, DALI controls by others
	MIN1	ECO1	100% to 1%	Lutron TVI-LMF-2A 0-10V interface module
	MIN10	ZT	100% to 10%	Linear Dimming, supplied with leads for 0-10V control
	MIN10	NLIGHT	100% to 10%	Linear Dimming, remote NPS 80 EZ included with luminaire
	MIN10	NLTAIR2	100% to 10%	Linear Dimming, internal RIO EZDL 90D G2 included with luminaire
	DARK	ZT	100% to 0.1%	Logarithmic Dimming, supplied with leads for 0-10V control
	DARK	NLIGHT	100% to 0.1%	Logarithmic Dimming, remote NPS 80 EZ included with luminaire
	DARK	NLTAIR2	100% to 0.1%	Logarithmic Dimming, internal RIO EZDL 90D G2 included with luminaire
	DARK	DALI	100% to 0.1%	Logarithmic Dimming, DALI controls by others
	DARK	DMX	100% to 0.1%	Compatible with DMX / RDM (Remote Device Management) controls by others

Driver Configurations (347)	Minimum Dimming Level	Control Input	Dimming Range	Notes
	NODIM	(blank)	-	OT130 NODIM 347v, No 0-10V leads from driver
	MIN1	ZT	100% to 1%	OT130 MINI 347v, supplied with leads for 0-10V control
	MIN10	ZT	100% to 10%	OT130 MINIO 347v, supplied with leads for 0-10V control

**UL924 Sequence of Operation**

The below information applies to all nLight AIR devices with an EM option.

- EM devices will remain at their high-end trim and ignore wireless lighting control commands, unless a normal-power-sensed (NPS) broadcast is received at least every 8 seconds.
- Using the **CLAIRITY+** mobile app, EM devices must be associated with a group that includes a normal power sensing device to receive NPS broadcasts.
- Only non-emergency rPP20, rLSXR, rSBOR, rSDGR, and nLight AIR luminaires with version 3.4 or later firmware can provide normal power sensing for EM devices. See specification sheets for control devices and luminaires for more information on options that support normal power sensing.

**nLight® Wired Control Accessories**  
*Order as separate catalog number*

Wall Switches	Model Number
On/Off single pole	nPODMA (color)
On/Off two pole	nPODMA 2P (color)
On/Off single pole, dimming	nPODMA DX (color)
On/Off two pole, dimming	nPODMA 2P DX (color)
On/Off, two level	nPODMA 2L (color)
Graphic touchscreen	nPOD TOUCH (color)

For more information see nPOD and nPOD TOUCH spec sheets

**nLight AIR® Control Accessories**  
*Order as separate catalog number*

Wall Switches	Model Number
On/Off single pole	rPODBA (color)
On/Off two pole	rPODBA 2P (color)
On/Off single pole, dimming	rPODBA DX (color)
On/Off two pole, dimming	rPODBA 2P DX (color)
On/Off, 4 scene control	rPODBA 4S (color)

For more information see rPOD spec sheets

**EMERGENCY OPTIONS**

**RE10WLCP**

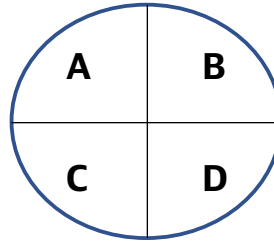
10w constant power emergency LED driver is remote mounted from the luminaire. The emergency driver switches power from the normal AC Driver and operates the fixture for 90 minutes in the emergency mode from the unit's battery supply. Consists of (1) [IOTA ILBLP CP10 HE SD B](#) emergency LED driver, (1) [RME1](#) remote mounting enclosure with 2-foot long flexible conduit, and (1) [RTKTBTBS](#) remote test kit accessory with 3-foot long flexible conduit.

Maximum remote mounting distance from emergency LED driver to fixture is half the max distance between the normal driver and LED load. (Example: AWG 18 = 36-feet)

Maximum remote mounting distance from test switch to fixture not to exceed 25-feet.

<b>RE10WLCP</b>
<b>How to Estimate Delivered Lumens in Emergency Mode</b>
To calculate lumen performance, multiple your luminaire's published efficacy (lumens per watt) by the output wattage of the ILB-CP emergency driver.
<b>Delivered Lumens = LPW x CP</b>
CP = 10 watts fro IOTA ILBLP CP10 HE SD B
LPW - Lumens per watt rating of the luminaire. This information is available on page 1 of this spec sheet or appropriate IES file.

Size	Total LED Boards Used	Total Drivers Used	LED Boards Illuminated in EM Mode	Quadrant Illuminated	Required Quantity of RE10WLCP
18IN	3	1	ALL	A, B, C, D	1
24IN	6	1	ALL	A, B, C, D	1
36IN	16	2	8	A,B	1
48IN	32	4	8	B	1



Wire Gauge (AWG)	Normal Driver Max Remote Distance	Max Remote Distance for RE10WLCP
20	46FT	23FT
19	59FT	29.50FT
18*	72FT	36FT
17	92FT	46FT
16	118FT	50FT**

\*AWG 18 recommended.  
\*\* Not to exceed 50FT (per manufacturer)

**RGTD**

Emergency generator transfer device is remote mounted from the luminaire. The emergency control device senses the loss of normal AC power and switches the LED driver input power connection to an unswitched, generator (or central inverter) supplied lighting circuit bypassing the fixture wall switch. Consists of (1) BODINE [GTDIODIM](#) emergency lighting control device within (1) RME1 remote mounting enclosure with 2-foot long flexible conduit.

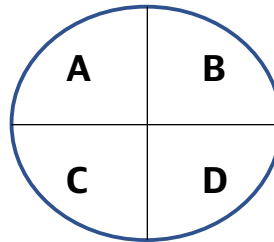
Maximum remote mounting distance from emergency LED driver to fixture is half the max distance between the normal driver and LED load. (Example: AWG 18 = 36-feet)

**RETSDR**

Emergency control device with internal dimming relay is remote mounted from the luminaire. The emergency control device senses the loss of normal AC power and bypasses the local switch device or dimmed setting, allowing emergency power directly to the fixture regardless of control setting. Consists of (1) [IOTA ETS DR](#) emergency lighting control device within (1) RME1 remote mounting enclosure with 2-foot long flexible conduit.

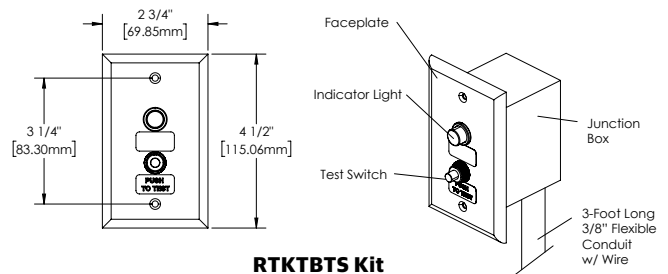
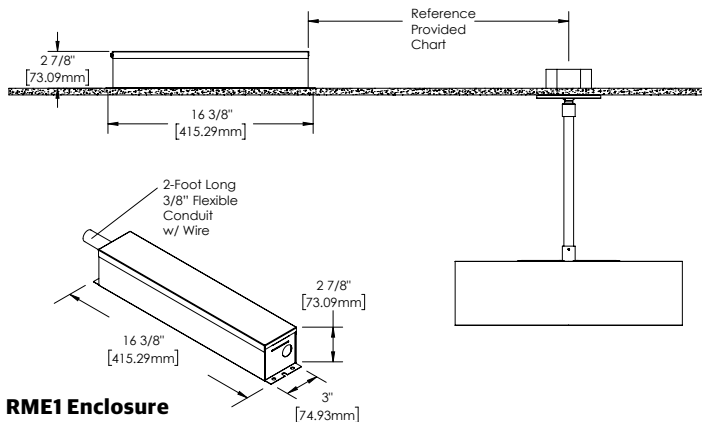
Maximum remote mounting distance from emergency LED driver to fixture is half the max distance between the normal driver and LED load. (Example: AWG 18 = 36-feet)

Size	Total LED Boards Used	Total Drivers Used	LED Boards Illuminated in EM Mode	Quadrant Illuminated	Required Quantity of RETSDR or RGTD
18IN	3	1	ALL	A, B, C, D	1
24IN	6	1	ALL	A, B, C, D	1
36IN	16	2	ALL	A, B, C, D	1
48IN	32	4	ALL	A, B, C, D	1



Wire Gauge (AWG)	Normal Driver Max Remote Distance	Max Remote Distance for RETSDR or RGTD
20	46FT	23FT
19	59FT	29.50FT
18*	72FT	36FT
17	92FT	46FT
16	118FT	50FT**

\*AWG 18 recommended.  
\*\* Not to exceed 50FT (per manufacturer)



**SPECIFICATIONS**

**Housing**

Rolled and welded smooth aluminum extruded housing.

**Stem/Canopy**

Available in three configurations: a single stem support, a single stem support with (3) angled stainless steel cables from collar, and flexible wire cord with (3) angled stainless steel cables from canopy.

**Finish**

Four standard satin sheen polyester powder paint solid colors for trim, stem, and canopy. Consult factory for custom colors or specify RAL colors from Architectural brochure.

**Inner Housing Reflector**

Aluminum sheet metal with highly reflective white polyester powder paint.

**Lenses/Shielding**

Sand etched opal acrylic formed flat, concave, or convex lens.

**Acoustic Panel**

Material: ½" thick (12mm) polyester fiber material made from 100% recyclable materials.

Meets Global Recycled Standard and is Red List Free.

Weighted Sound Absorption Coefficient calculated according to EN ISO 11654:1997

$a_w = 0.80$

Sound Absorption: Class B

\*NRC (Noise Reduction Coefficient) Rating (Slate, Pewter, Smoke): 0.90

\*NRC (Noise Reduction Coefficient) Rating (All other colors): 0.80

\*(NRC based upon testing acoustical sheet only, not in fixture or housing)

FSI (Flame Spread Index): 15

SDI (Smoke Developed Index): 40

Fire Rating Classification: Meets requirements of Class A Interior Wall & Ceiling

Finish Category per ASTM E84 or UL 723

**Mounting**

Mount directly to a standard octagon junction box (by others). For fixtures over 40lbs., additional support to structure (by others) required.

**LED Components**

Multiple lumen packages available with 2700K, 3000K, 3500K, 4000K and 5000K CCT in either 80CRI or 90CRI for both direct and indirect outputs. The Acuity Brands circuit boards use a precise binning algorithm which creates a consistent color temperature from board to board. The color a variation of no greater than a 2.5 Step MacAdam (2.55DECM) along the black body locus from board to board.

**Electrical**

Long-life LEDs, coupled with high-efficiency drivers, provide superior quantity and quality of illumination for extended service life. 90% LED lumen maintenance at 38,000 hours (L90/38,000).

**Dimming Drivers**

Factory tuned constant current electronic dimming driver is standard. Flicker free dimming available down to <1%. LED drivers perform within the recommended operating areas for flicker as a function of frequency and modulation (%) IEEE Standard 1789-2015 (IEEE Recommended Practices for Modulating Current in High-Brightness LEDs for Mitigating Health Risks to Viewers), in typical operating conditions at representative dimming levels. Electrical specifications at maximum driver load: PF > 0.9 and THD <20%. Meets FCC Title 47 Class A or Class B. Other available drivers include Lutron, DALI, and DMX protocol drivers. All drivers are RoHS compliant.

**Controls and System Networking Options**

Optional integrated nLight® controls make each fixture addressable - allowing it to digitally communicate with other nLight enabled controls such as dimmers, switches, occupancy sensors, and photocontrols. Connection to nLight is simple. It can be accomplished with remote nLight AIR wireless or through standard Cat-5 cabling. (cabling "by others") nLight offers unique plug-and-play convenience as devices and luminaires automatically discover each other, while nLight AIR is commissioned easily through an intuitive mobile app.

**Emergency Battery (Optional)**

Remote emergency battery (RE10WLCP) for 90 minutes of operation. Emergency battery pack, 10W, Linear Constant Power Certified in CA Title 20 MAEDBS. Remote test switch and indicator light provided with wall/ceiling plate. Reference chart in the Emergency section for calculating delivered lumens in emergency mode.

Remote generator transfer device (RGTD) works in conjunction with an auxiliary generator or a central inverter system to power fixtures for safe egress lighting.

Remote emergency control device (RETSR) allows for the use of local switch and dimming controls on designated emergency luminaires powered by an auxiliary generator or inverter supply. The device senses the loss of normal AC power and bypasses the local switch device or dimmed setting, allowing emergency power directly to the fixture regard-less of control setting. The RETSDR allows designated LED operation in the fixture for the duration of the auxiliary supply at full light output.

**Voltage**

120 thru 277v/50-60Hz

**Ambient Operating Temperature**

-20°C (-4°F) to +25°C (+77°F).

**Ambient Operating Humidity**

90% relative humidity non-condensing maximum.

**Environment**

Suitable for damp locations. Indoor use only.

**Certification**

CSA certified to meet U.S. and Canadian standards (UL1598 and UL8750).

**Fixture Weight (Without emergency or packaging)**

18IN: 13 lbs.

24IN: 20 lbs.

36IN: 45 lbs.

48IN: 55 lbs.

**Stem Weight (Without packaging)**

F3/12F: 2 lbs.

F3/36F: 2 lbs.

F4/24A: 2 lbs.

F4/120A: 4 lbs.

F6/36F: 3 lbs.

F6/120F: 5 lbs.

**BUY AMERICAN ACT**

Product with the BAA option is assembled in the USA and meets the Buy America(n) government procurement requirements under FAR, DFARS and DOT regulations. Please refer to [www.acuitybrands.com/buy-american](http://www.acuitybrands.com/buy-american) for additional information.

**Warranty**

5-year limited warranty. This is the only warranty provided and no other statements in this specification sheet create any warranty of any kind. All other express and implied warranties are disclaimed. Complete warranty terms located at: [www.acuitybrands.com/support/warranty/terms-and-conditions](http://www.acuitybrands.com/support/warranty/terms-and-conditions)

**Note:** Actual performance may differ as a result of end-user environment and application.

All values are design or typical values, measured under laboratory conditions at 25°C.

Specifications subject to change without notice.